



Consumables
not included



Download a **FREE**
patient education sign at
AliMed.com/ic-signs

Primary Areas For Placement

- Ideal for use in patient/public waiting areas, offices, lobbies, or any facility points of entry
- Also for use in Emergency and Admitting departments, Outpatient Radiology/MRI departments, outpatient labs, or pharmacies

Packaging Includes

- Infection Prevention Station with two keys
- Column Stand and Base with assembly hardware
- Vertical Sign Holder with assembly hardware

Product Specifications

Station Dimensions:

- 18 $\frac{1}{4}$ "W x 12 $\frac{3}{8}$ "H x 5"D (46.4 cm x 31.1 cm x 12.7 cm)

Column Stand and Base Dimensions:

- Column Stand: 1"W x 33"H x 3"D each (2.5 cm x 83.8 cm x 7.6 cm each)
- Base: 18"W x $\frac{1}{8}$ "H x 18"D (45.7 cm x .32 cm x 45.7 cm)

Vertical Sign Holder:

- Holds 8 $\frac{1}{2}$ "W x 11"H sign (21.6 cm x 27.9 cm)
- Made of clear plexiglass

Overall Specifications:

- 18 $\frac{1}{4}$ "W x 58 $\frac{1}{4}$ "H x 18"D assembled with sign (46.4 cm x 148 cm x 45.7 cm)
- Weight: 30 lbs. (13.6 kg)
- Station/stand made of 1.2-mm thick cold-rolled steel
- Beige

Capacity

- Holds two boxes of earloop-style face masks, one to two boxes of facial tissues or gloves, and one hand sanitizer bottle or sanitizing wipes canister
- Standard size earloop-style face mask box(es) up to: 8 $\frac{1}{4}$ "W x 4 $\frac{5}{8}$ "H x 4 $\frac{1}{2}$ "D (21.6 cm x 11.7 cm x 11.4 cm)
- Standard size facial tissue or glove box(es) up to: 5 $\frac{3}{8}$ "W x 10 $\frac{1}{4}$ "H x 4 $\frac{1}{2}$ "D (13.7 cm x 26 cm x 11.4 cm)
- Standard size bottle or canister of hand sanitizer or wipes: 4 $\frac{1}{2}$ "W x 4 $\frac{1}{4}$ "D (11.4 cm x 10.8 cm)

Packaging Specifications

- Quantity: 1 per box
- Box size: 34 $\frac{3}{4}$ "W x 19 $\frac{3}{4}$ "H x 7 $\frac{1}{2}$ "D (88 cm x 50 cm x 19 cm)

Care and Cleaning Instructions

- Clean with a non-abrasive cloth using a diluted solution of mild, non-abrasive detergent or standard hospital disinfectants.
- Dry with a soft, non-abrasive cloth.

See p. 2 for assembly instructions

#960828 Infection Prevention Station with Stand

Assembly Instructions

Always securely assemble and mount dispensers prior to adding consumables.

Parts Included:

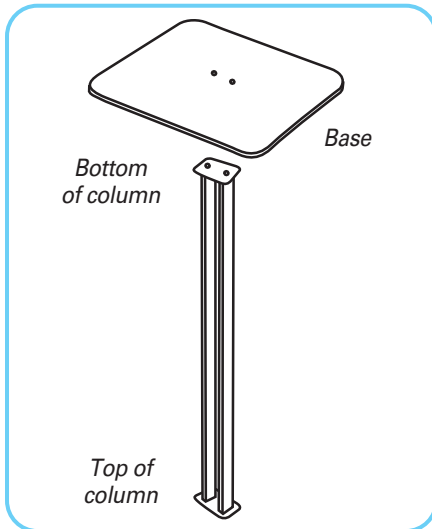
- Base, Column, Station, Sign Holder

Hardware Included:

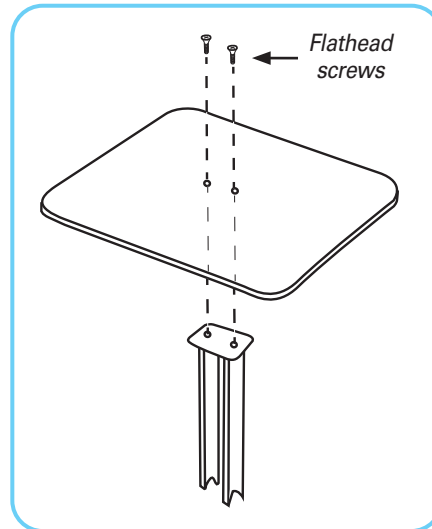
- (2x) Flathead screws with hex socket
- (2x) Rounded head screws with hex socket
- (2x) Barrel screws

Tools Included:

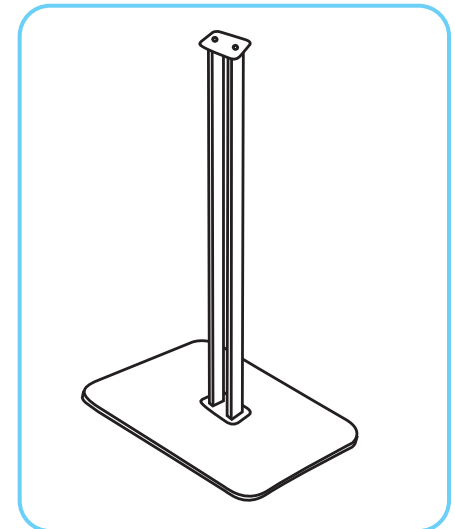
- Dual-end Allen Wrench with hex drive and Phillips drive



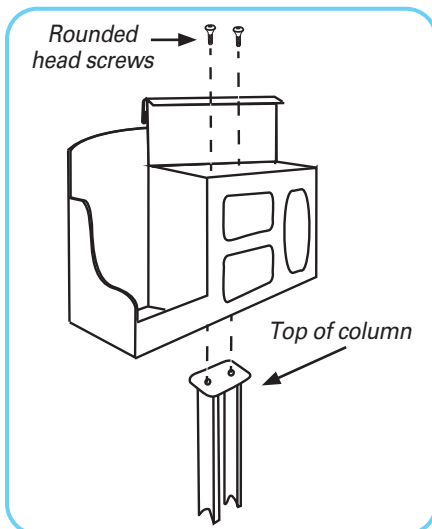
1. To secure base to column, turn column upside down (with top plate down) and place base inverted, as shown, on column.



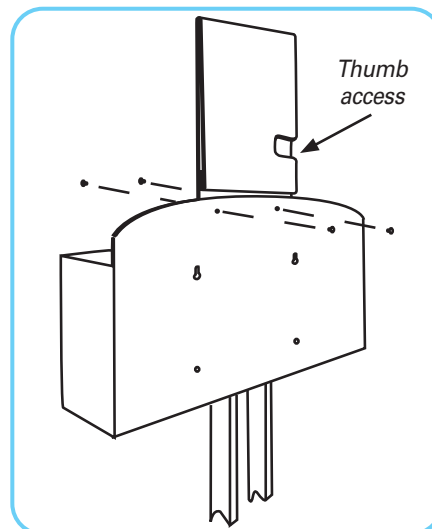
2. Use included Allen Wrench to secure base to column with (2x) flathead screws.



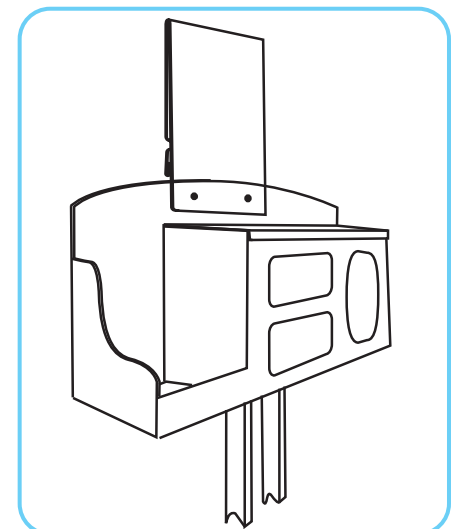
3. Turn stand right side up, so the base is on the floor.



4. To mount the station, place station on top of column. Use included Allen Wrench to secure station to column with (2x) rounded head screws.



5. To mount the sign holder, align the holes of the holder with the holes at the top of the station. Thumb access to printed sign faces back of station.



6. Use included Allen Wrench to secure sign holder to station with (2x) barrel screws. Do not over tighten.

Visit [AliMed.com/ic](https://www.ali-med.com/ic) for our full line of Infection Prevention Stations

Unit is intended for dispensing PPE product only. Other products are not recommended.
Content provided is subject to change. Drawing dimensions are approximate.

Pub. #7863 Product #11569
©2020 AliMed® Inc. All rights reserved.